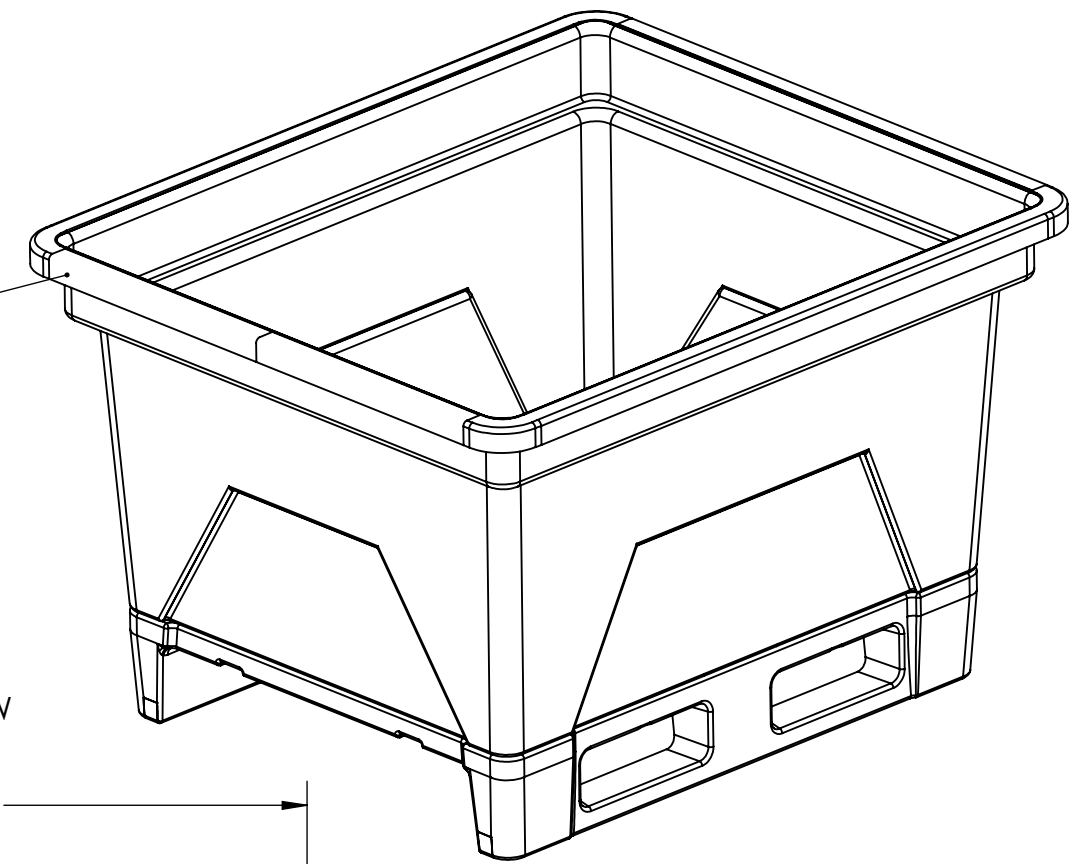
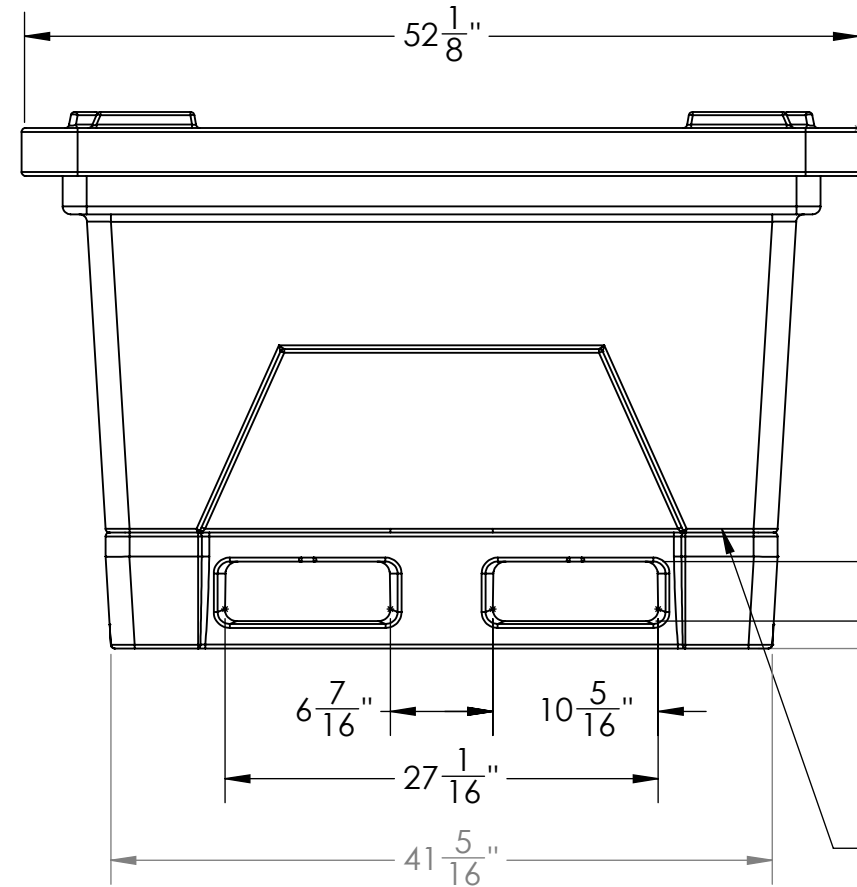


SP-160R

UPPER RIM DIMENSION WITH NO LID IS
51 1/4" BY 43 7/8"



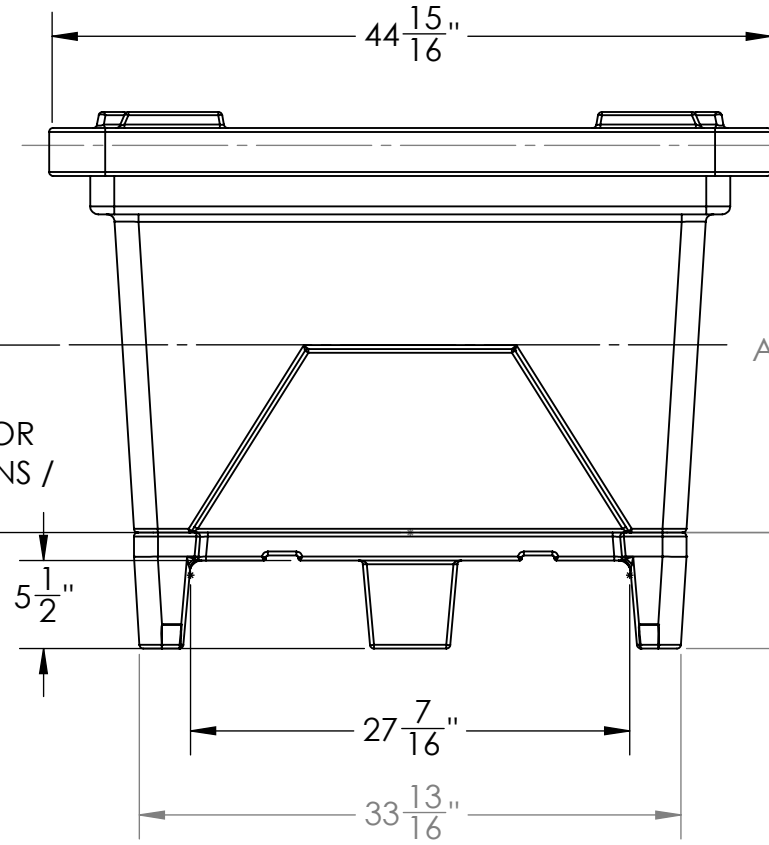
FRONT VIEW



SCALE 1 : 12

BOTTOM ID DIMENSIONS:
33 5/16" BY 40 11/16"

SIDE VIEW



SCALE 1 : 12

SCALE 1 : 12

24 3/16"
FILL TO THIS LINE FOR
APPROX 162 GALLONS /
21 CUBIC FEET

NOTE:
1. CALCULATION ARE BASED OFF OF WATER WEIGHT