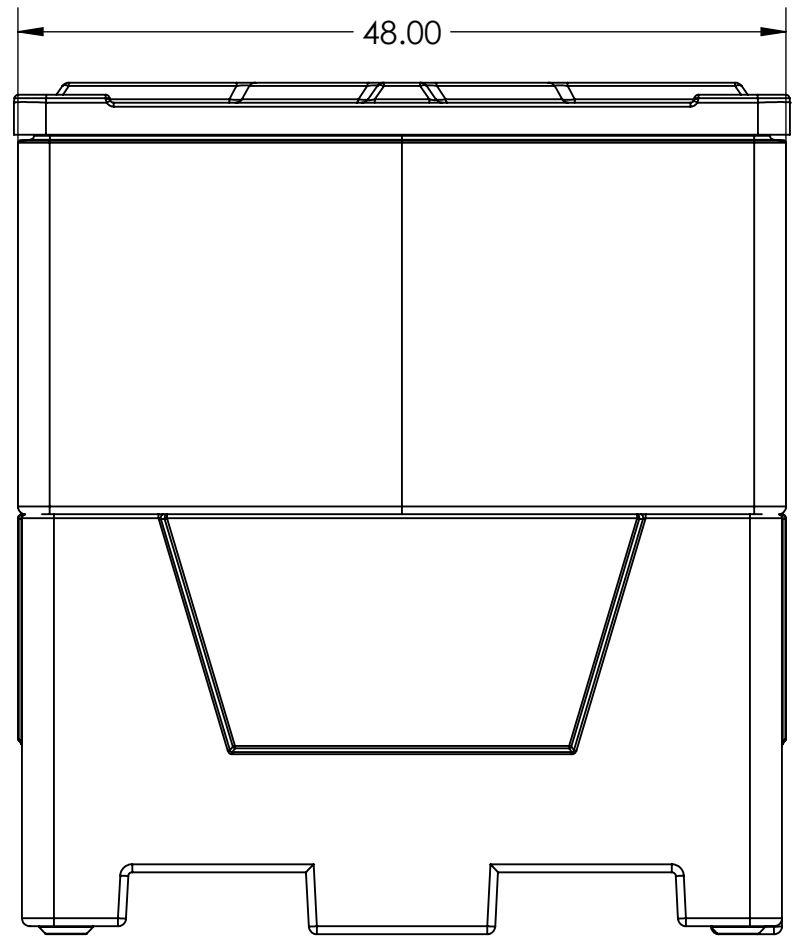
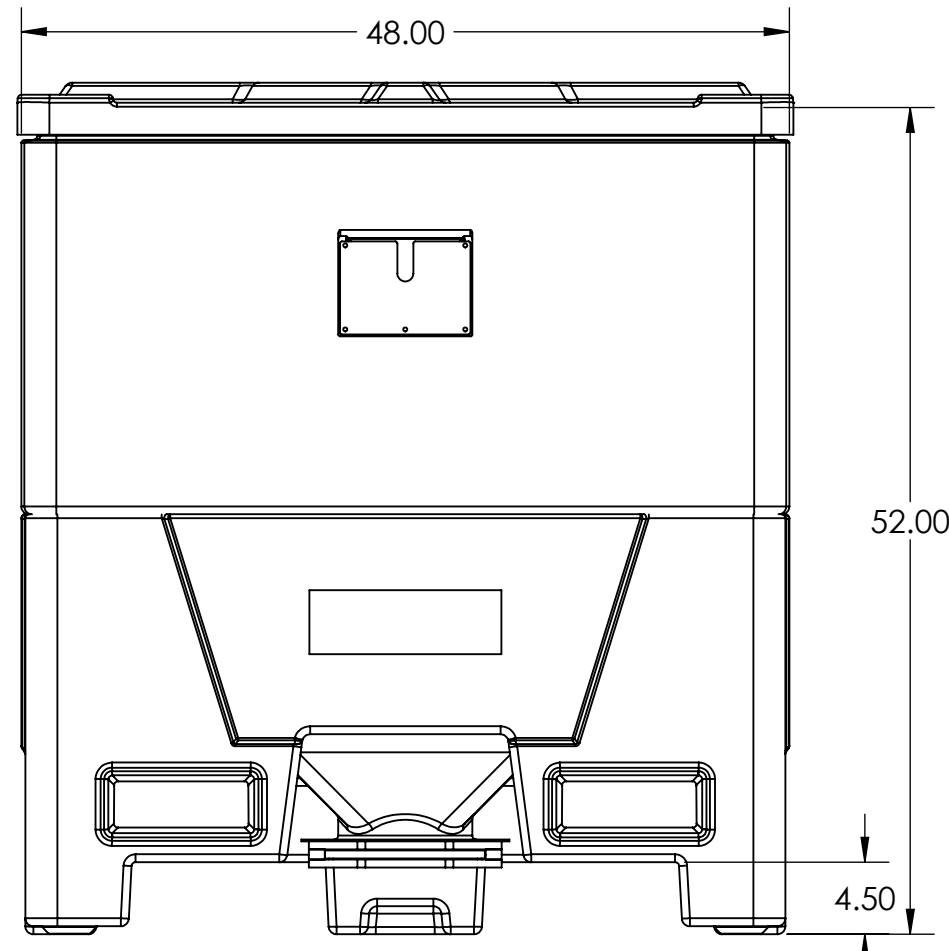
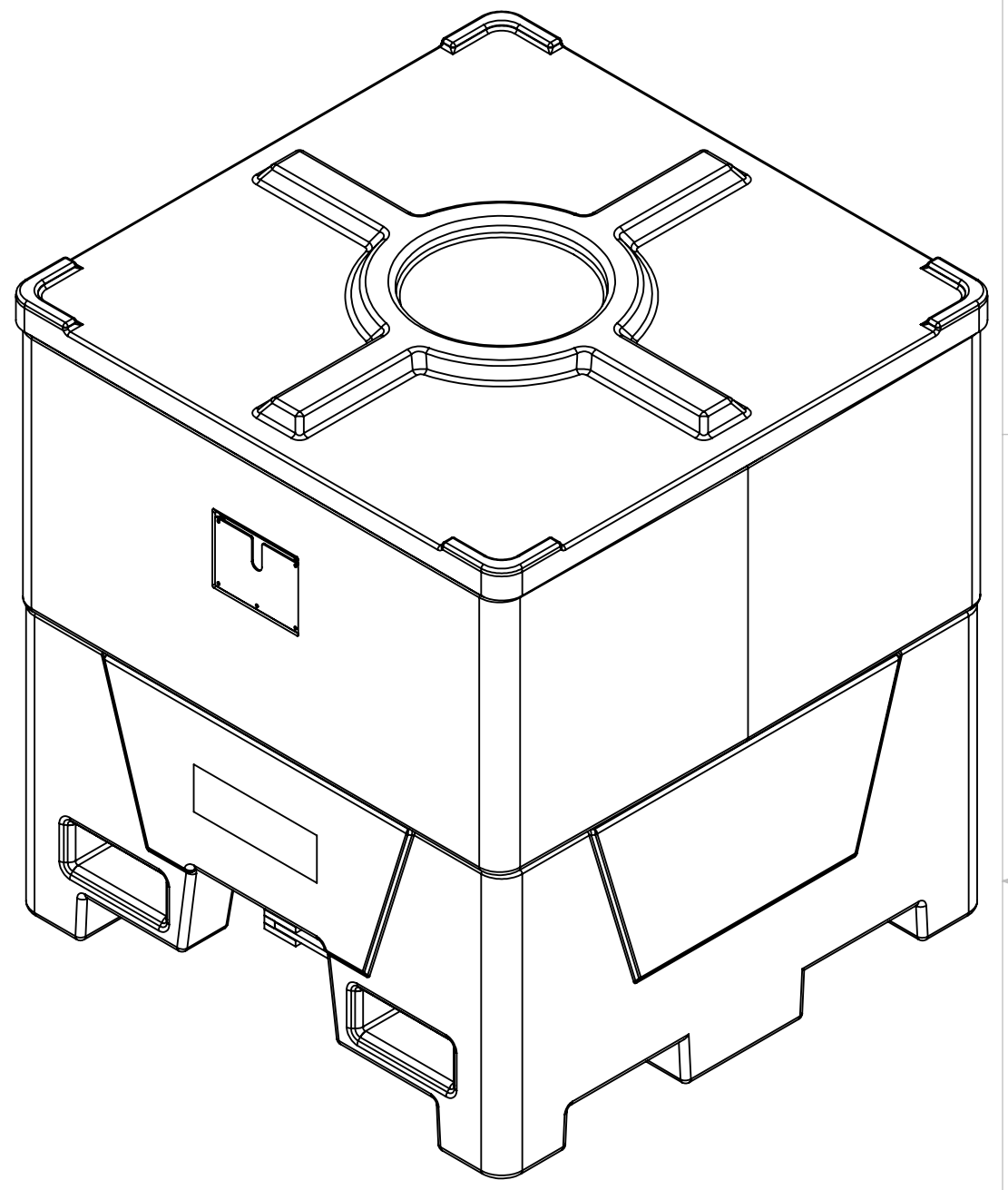
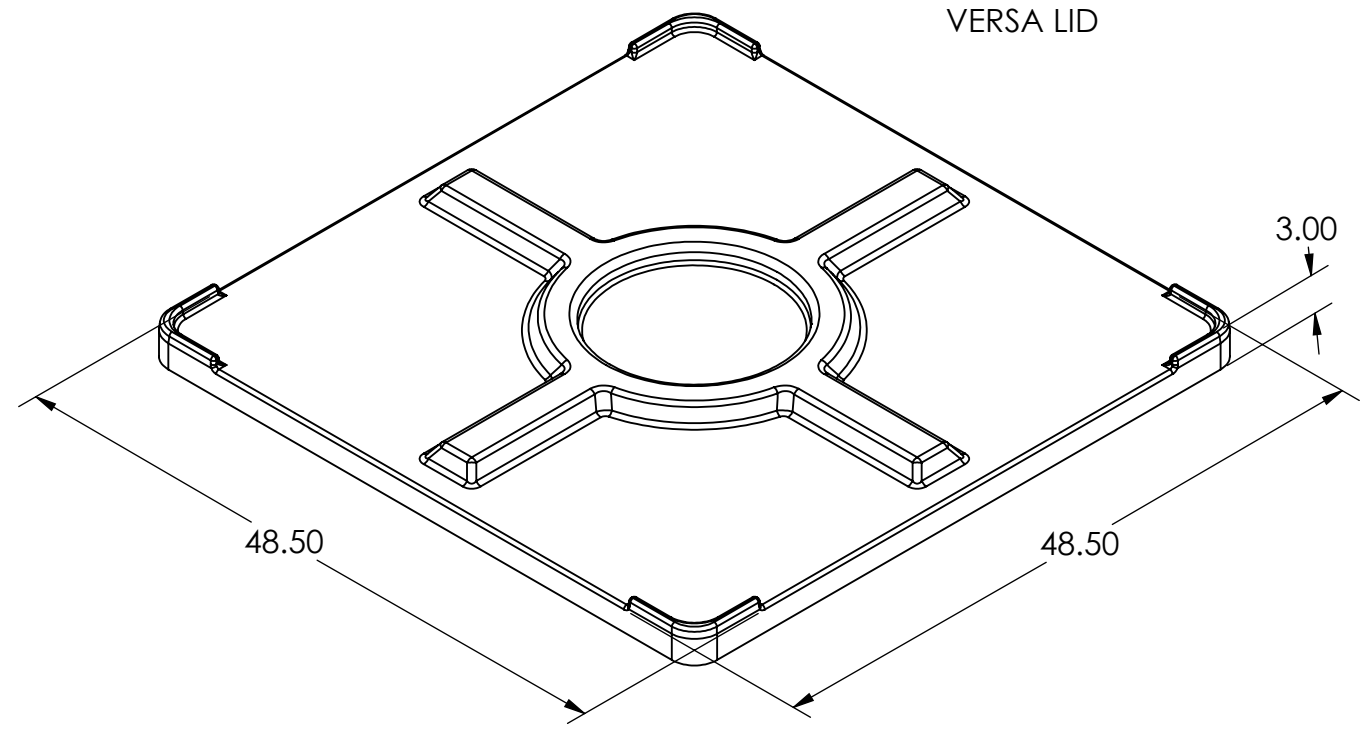


8 7 6 5 4 3 2 1

VERSA LID



FRONT VIEW

SIDE VIEW

PROPRIETARY AND CONFIDENTIAL
 THE INFORMATION CONTAINED IN THIS DRAWING IS THE SOLE PROPERTY OF SmaK PLASTICS INC. ANY REPRODUCTION IN PART OR AS A WHOLE WITHOUT THE WRITTEN PERMISSION OF SmaK PLASTICS INC IS PROHIBITED.

UNLESS OTHERWISE SPECIFIED:
 DIMENSIONS ARE IN INCHES
 TOLERANCES:
 LINEAR ± 0.01 IN/IN
 WARP ± 0.02 IN/IN
 RADI ± 15%
 ANGULAR ± 4.0°
 WALL THICK ± 20%

INTERPRET GEOMETRIC TOLERANCING PER:
 MATERIAL **POLYETHYLENE**
 FINISH
 DO NOT SCALE DRAWING

NAME	DATE
BWK	1/22/14
DRAWN	
CHECKED	
ENG APPR.	
MFG APPR.	
Q.A.	
COMMENTS:	

SmaK PLASTICS INC

TITLE:
VERSA HOPPER

SIZE	DWG. NO.	REV
B	SPH35	A

SCALE: 1:1 WEIGHT: SHEET 1 OF 1

8 7 6 5 4 3 2 1