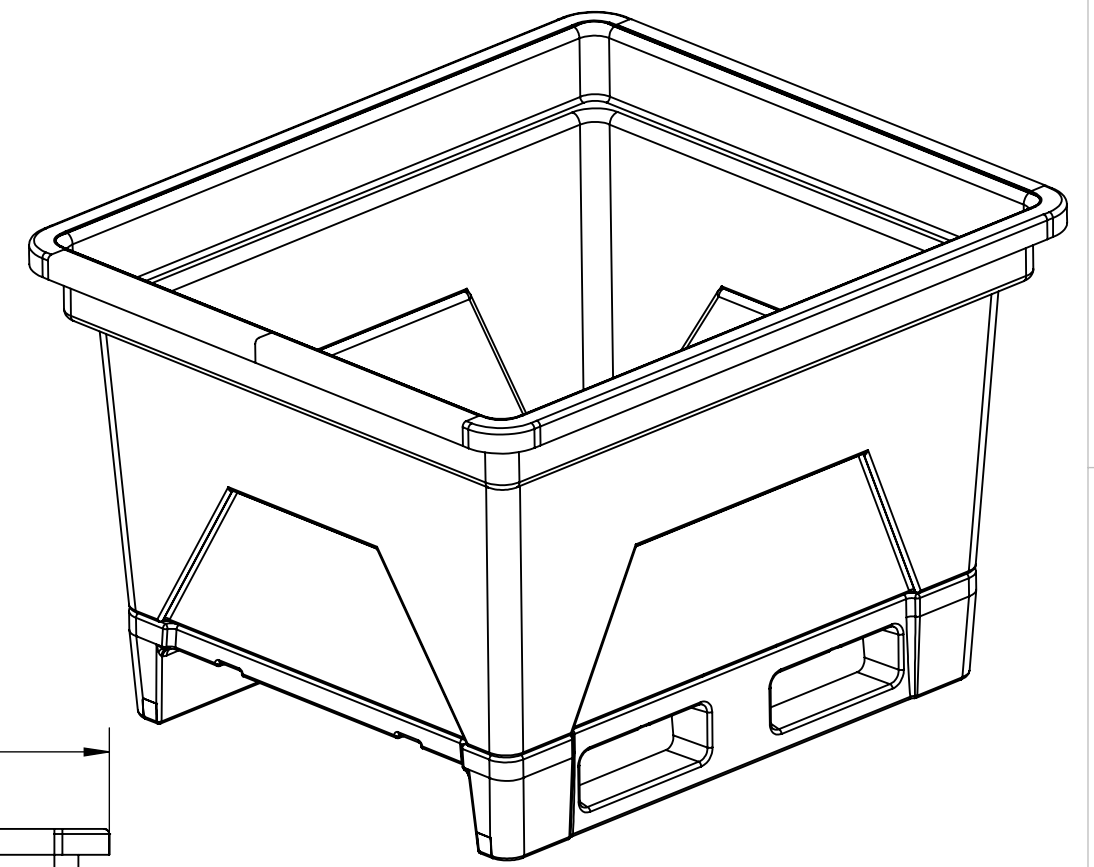


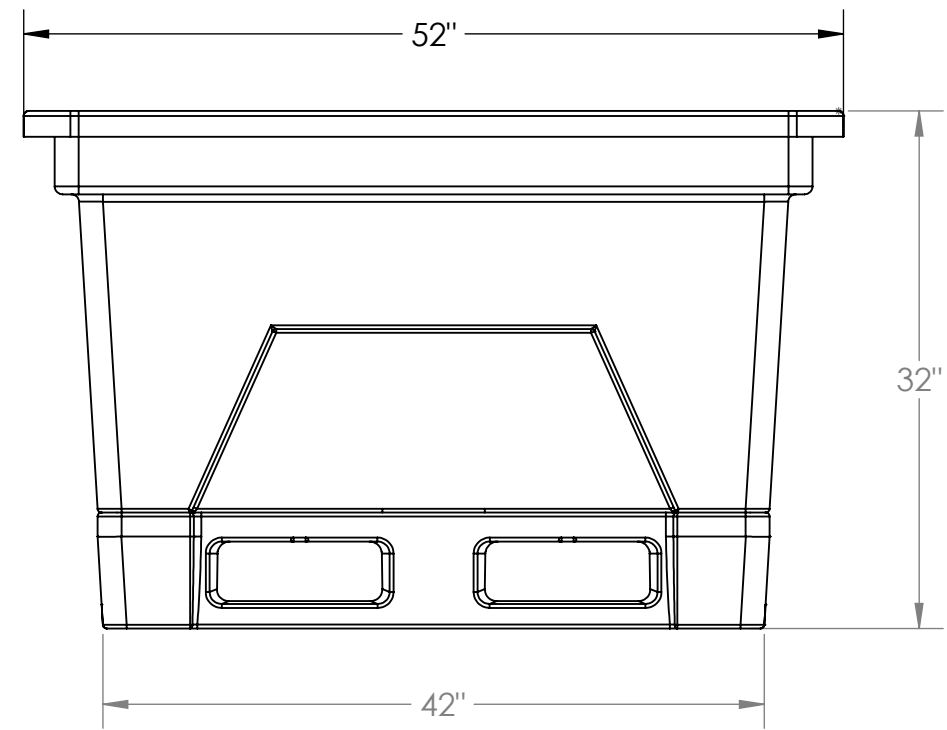
8 7 6 5 4 3 2 1

D
C
B
A

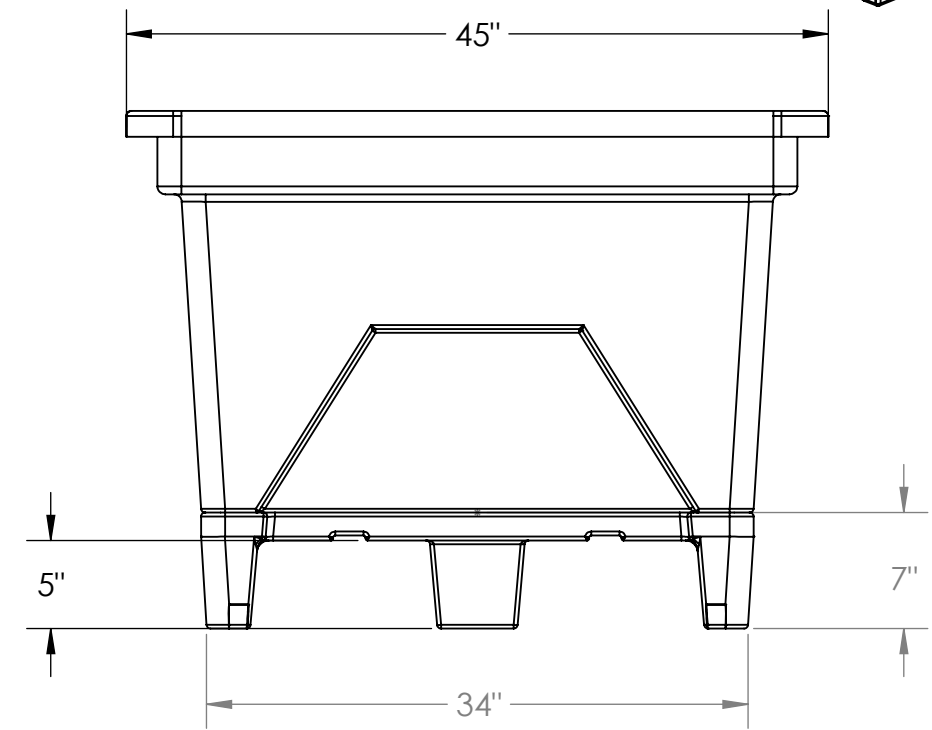
D
C
B
A



FRONT VIEW



SIDE VIEW



UNLESS OTHERWISE SPECIFIED:
DIMENSIONS ARE IN INCHES
TOLERANCES:
LINEAR ± 0.01 IN/IN
WARP ± 0.02 IN/IN
RADI ± 15%
ANGULAR ± 4.0°
WALL THICK ± 20%

INTERPRET GEOMETRIC TOLERANCING PER:
MATERIAL POLYETHYLENE
FINISH
DO NOT SCALE DRAWING

NAME	DATE
DRAWN	BWK 10/14/13
CHECKED	
ENG APPR.	
MFG APPR.	
Q.A.	
COMMENTS:	

SmaK PLASTICS INC		
TITLE: SP-160R		
SIZE B	DWG. NO. 10397	REV C
SCALE: 1:1	WEIGHT:	SHEET 1 OF 1

PROPRIETARY AND CONFIDENTIAL
THE INFORMATION CONTAINED IN THIS DRAWING IS THE SOLE PROPERTY OF SmaK PLASTICS INC. ANY REPRODUCTION IN PART OR AS A WHOLE WITHOUT THE WRITTEN PERMISSION OF SmaK PLASTICS INC IS PROHIBITED.

8 7 6 5 4 3 2 1